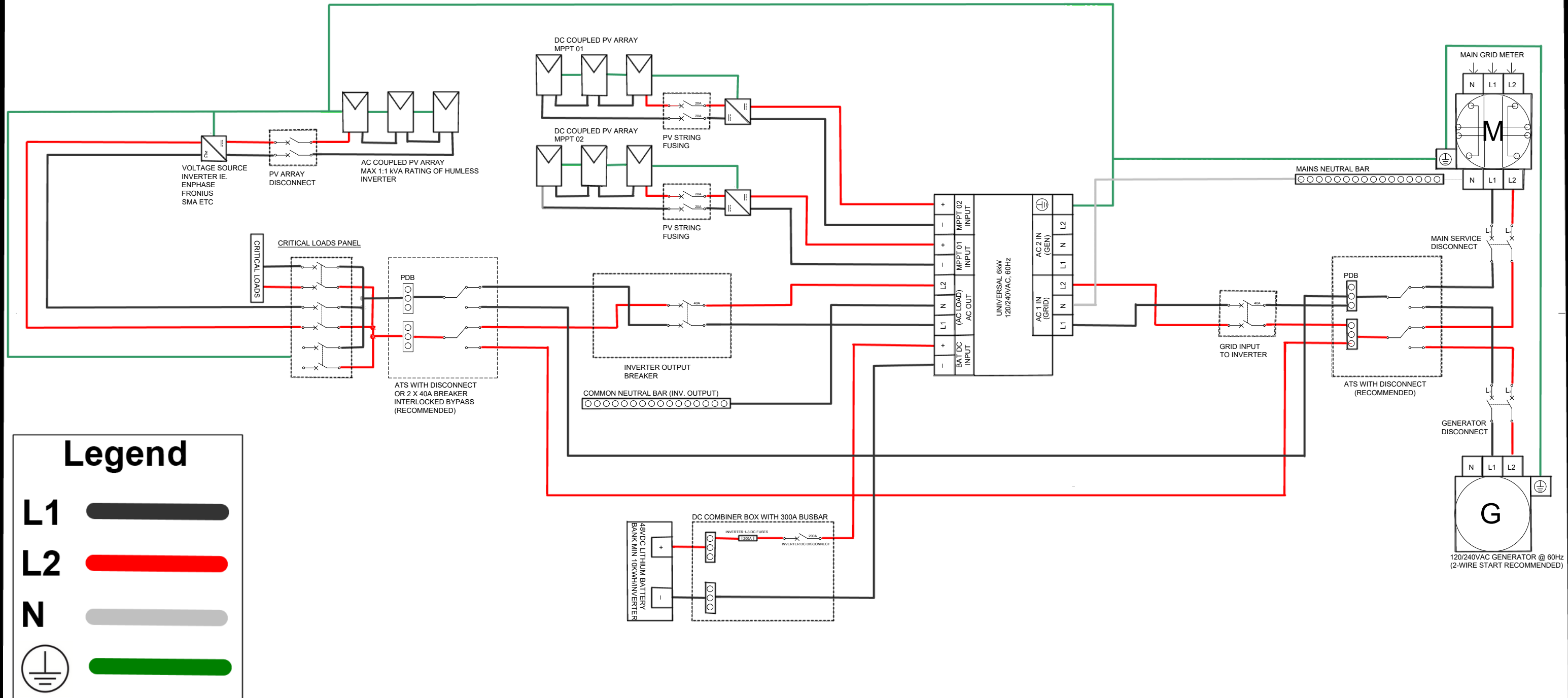




Basic Humless Universal Install Line Diagram



| | | |
|---|-------------------------------------|----------------------|
| SCALE: NTS | PROJECT: BASIC_HUMLESS_LINE_DIAGRAM | CLIENT: HUMLESS |
| DATE: 12/02/2022 | DRAWING NUMBER: HUM-001 | REV: A DIM. UNIT: mm |
| DRAWN: TJK | CHECKED: | APPROVED: |
| TITLE: BASIC HUMLESS UNIVERSAL INSTALL LINE DIAGRAM | | SHEET: 1/1 |
| | | FORMAT: |

THIS DRAWING IS THE PROPERTY OF HUMLESS AND IS PRODUCED FOR THE INTENDED CLIENT. INTELLECTUAL PROPERTY RIGHTS VEST IN ADVANCED HUMLESS AND NOTHING HEREIN MAY BE REPRODUCED, USED OR DISCLOSED IN WHOLE OR IN PART WITHOUT PRIOR PERMISSION FROM THE COMPANY.